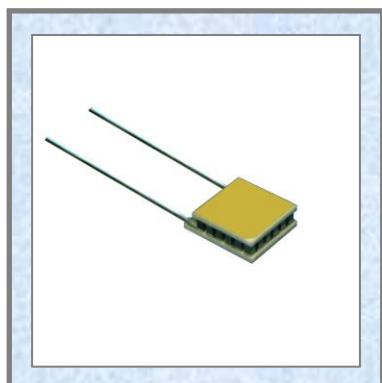


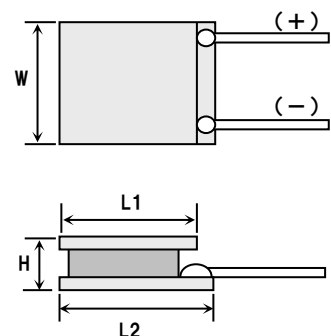
THERMO MODULE DATA

Model **KSMH018** (**RoHS 2002/95/EC Compliant**)



Th	$\Delta T_{max}(^{\circ}C)$	$I_{max}(A)$	$V_{max}(v)$	$Q_{cmax}(w)$
27°C	75	2.0	2.2	2.5
70°C	93	2.0	2.7	2.8

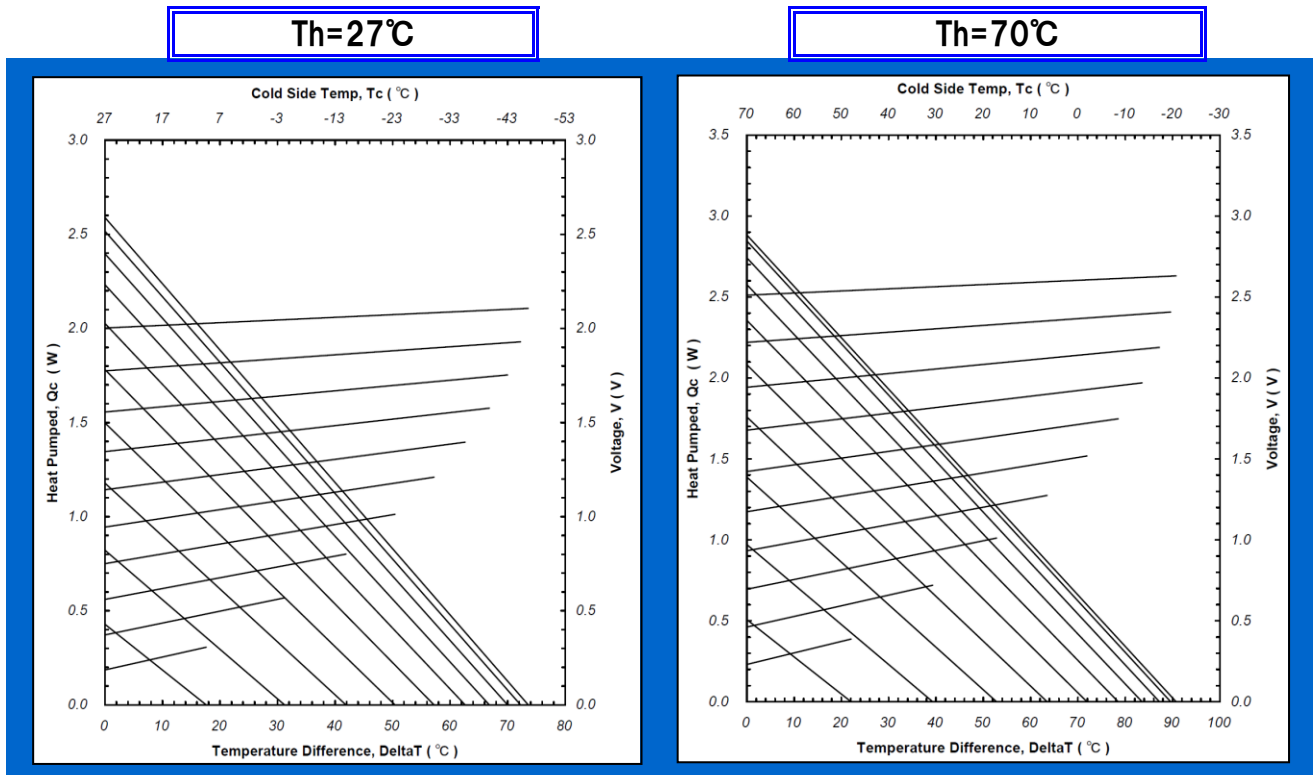
	W	L1	L2	H
Size(mm)	6.0	6.2	7.2	1.65
Tolerance(mm)	± 0.2	± 0.2	± 0.2	± 0.1
Metallization	Cu-Ni-Au			
Ceramic material	Alumina			
Assembly solder	SnSb (melting point:232°C)			



Option

Assembly solder	AuSn (melting point:280°C)
Ceramic material	All models can be assembled with alumina &/or aluminum nitride ceramics.
Pretinning solder	InSn (melting point:117°C), BiSn (melting point:138°C), SnAgCu (melting point:217°C) is also available, when AuSn is selected for assembly solder.

Performance Diagram



Ambient	Nitrogen
Current value	$I = 0.2 - 2.0 A$ (Step = 0.20 A)

KELK Ltd.

- Head Office & Factory
- Thermo Module Gr. Sales Dept.

www.kelk.co.jp

3-25-1, Shinomiya, Hiratsuka-shi, Kanagawa-ken, 254-8543, Japan
 Phone: +81-463-22-8724 Fax: +81-463-22-3692
 3-25-1, Shinomiya, Hiratsuka-shi, Kanagawa-ken, 254-8543, Japan
 Phone: +81-463-23-3697 Fax: +81-463-22-8277
 E-mail : JPE7MB_homepage_kelk@global.komatsu